



FEATURES

- ✧ Solid-state silicon-avalanche technology
- ✧ Up to four I/O lines of protection
- ✧ Low operating voltage
- ✧ Ultra low capacitance
- ✧ Low clamping voltage
- ✧ Low leakage current
- ✧ RoHS compliant

MAIN APPLICATIONS

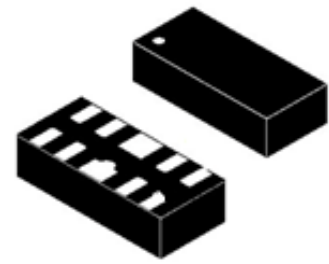
- ✧ Digital visual interface(DVI)
- ✧ Display port TM interface
- ✧ MDDI ports
- ✧ PCI express
- ✧ SATA interfaces
- ✧ High definition multi-media interface(HDMI)

PROTECTION SOLUTION TO MEET

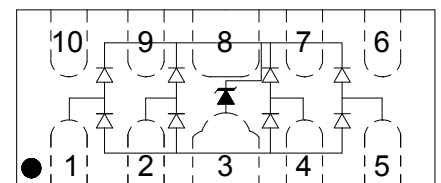
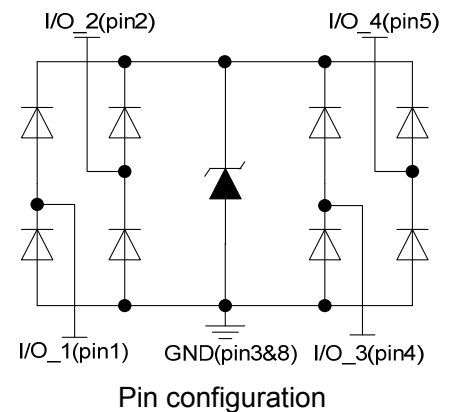
- ✧ IEC61000-4-2 (ESD) $\pm 15\text{kV}$ (air), $\pm 8\text{kV}$ (contact)
- ✧ IEC61000-4-4 (EFT) 40A (5/50ns)
- ✧ IEC61000-4-5 (Lightning) 3.5A (8/20 μs)

MECHANICAL CHARACTERISTICS

- ✧ DFN2510-10L package
- ✧ Molding compound flammability rating: UL 94V-0
- ✧ Quantity per reel: 3,000pcs
- ✧ Lead finish: lead free
- ✧ Marking code: 5R2P



DFN2510-10L



Top view

ABSOLUTE MAXIMUM RATINGS ($T_A=25^{\circ}\text{C}$, RH=45%-75%, unless otherwise noted)

Parameter	Symbol	Value	Unit
Peak pulse power dissipation on 8/20 μs waveform	P_{PP}	100	W
ESD per IEC 61000-4-2 (Air) ESD per IEC 61000-4-2 (Contact)	V_{ESD}	+/- 15 +/- 8	kV
Lead soldering temperature	T_L	260 (10 sec.)	$^{\circ}\text{C}$
Operating junction temperature range	T_J	-55 to +125	$^{\circ}\text{C}$
Storage temperature range	T_{STG}	-55 to +150	$^{\circ}\text{C}$

ELECTRICAL CHARACTERISTICS ($T_A=25^{\circ}\text{C}$)

Parameter	Symbol	Conditions	Min	Typ	Max	Unit
Reverse working voltage	V_{RWM}	I/O to GND			5.0	V
Reverse breakdown voltage	V_{BR}	I/O to GND@ $I_T=1\text{mA}$	6.0	7.5	9.0	V
Reverse leakage current	I_R	I/O to GND @ $V_{RWM}=5\text{V}$		0.1	1.0	μA
Clamping voltage	V_C	$I_{PP}=1\text{A}, t_p=8/20\mu\text{s}$		9	10	V
		$I_{PP}=3.5\text{A}, t_p=8/20\mu\text{s}$		11	12	V
Junction capacitance	C_J	$V_{RWM}=0\text{V}, f=1\text{MHz}$ I/O pin to GND		0.5	0.65	pF
		$V_{RWM}=0\text{V}, f=1\text{MHz}$ Between I/O pins		0.25	0.4	pF

RATINGS AND V-I CHARACTERISTICS CURVES ($T_A=25^{\circ}\text{C}$, unless otherwise noted)

FIG.1:V- I curve characteristics (Uni-directional)

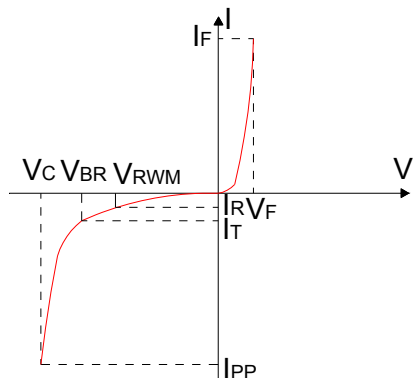


FIG.2: Pulse waveform (8/20 μs)

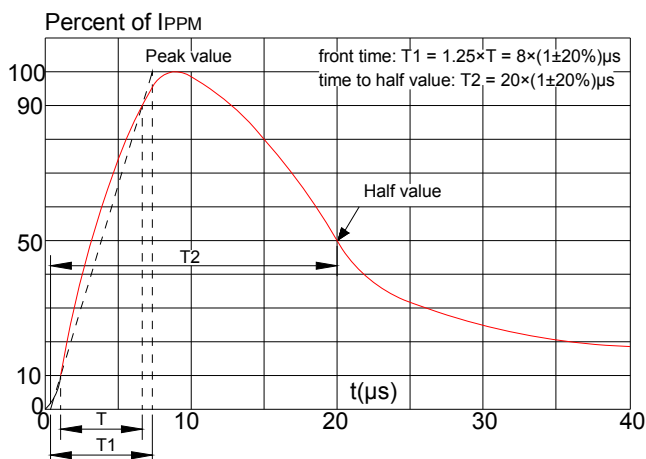


FIG.3: Pulse derating curve

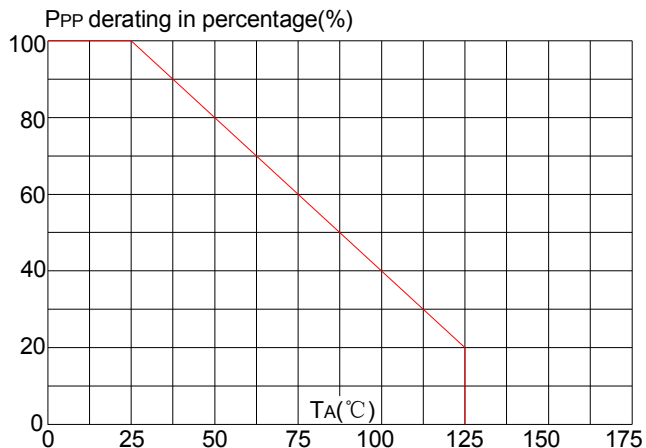
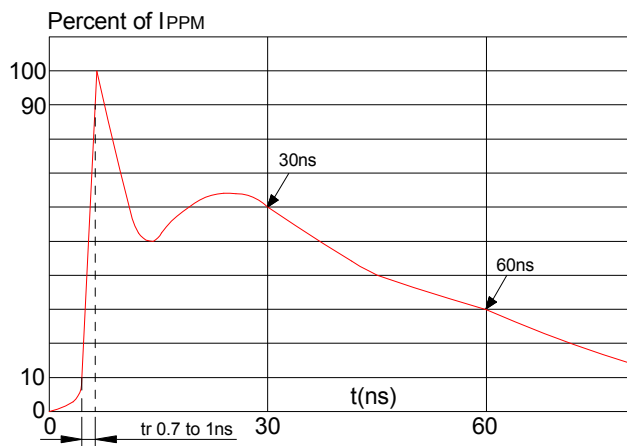
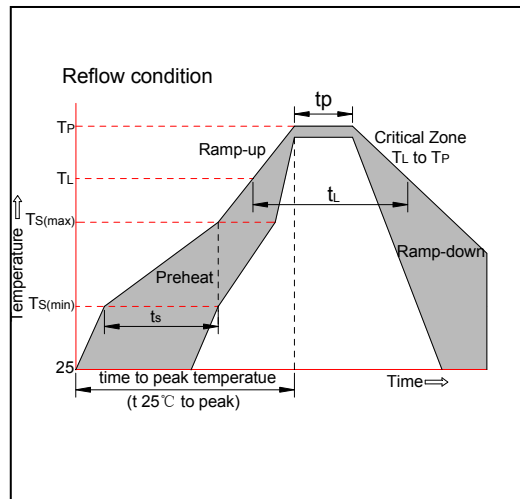


FIG.4: ESD clamping (8KV contact)

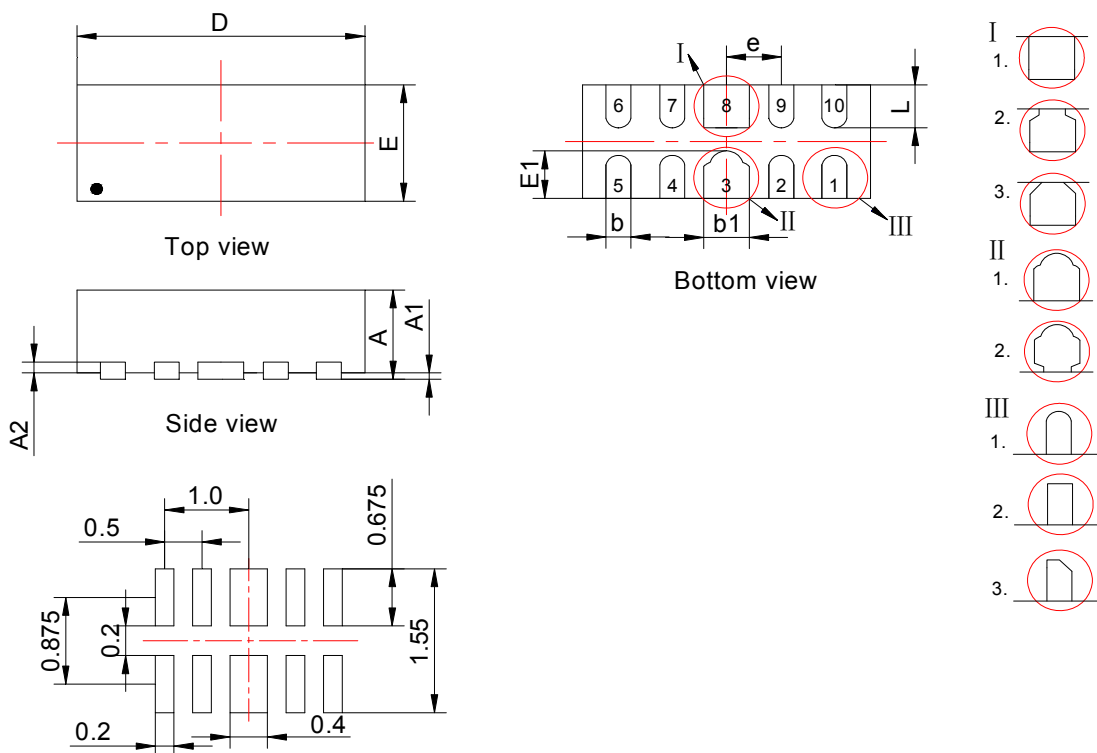


SOLDERING PARAMETERS

Reflow Condition		Pb-Free assembly (see figure at right)
Pre Heat	-Temperature Min ($T_{s(min)}$)	+150°C
	-Temperature Max ($T_{s(max)}$)	+200°C
	-Time (Min to Max) (ts)	60-180 secs.
Average ramp up rate (Liquidus Temp (T_L) to peak)		3°C/sec. Max
$T_{s(max)}$ to T_L - Ramp-up Rate		3°C/sec. Max
Reflow	-Temperature (T_L) (Liquidus)	+217°C
	-Temperature (t_L)	60-150 secs.
Peak Temp (T_p)		+260(+0/-5)°C
Time within 5°C of actual Peak Temp (t_p)		20-40secs.
Ramp-down Rate		6°C/sec. Max
Time 25°C to Peak Temp (T_p)		8 min. Max
Do not exceed		+260°C



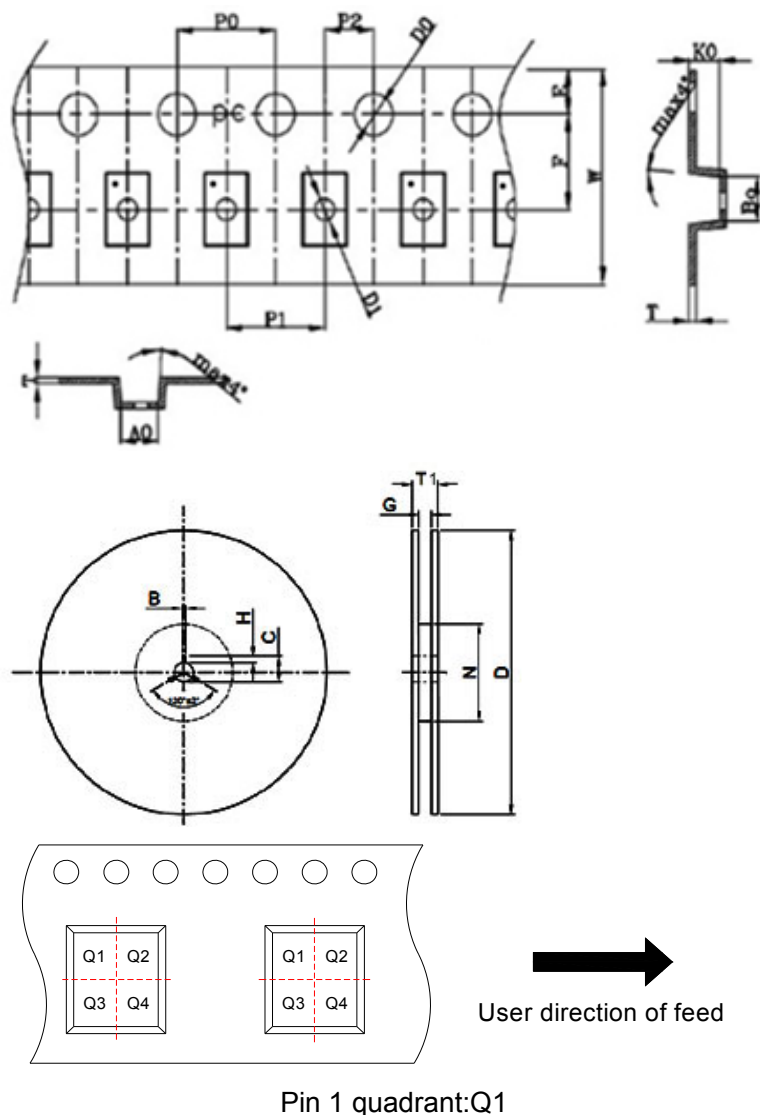
PACKAGE MECHANICAL DATA



Recommended soldering footprint

Symbol	Millimeters			Inches		
	Min.	Typ.	Max.	Min.	Typ.	Max.
A	0.46	0.53	0.60	0.018	0.021	0.024
A1	0.00	0.02	0.05	0.000	0.001	0.002
A2	0.15Ref.			0.006Ref.		
b	0.15	0.20	0.25	0.006	0.008	0.010
b1	0.35	0.40	0.45	0.014	0.016	0.018
D	2.40	2.50	2.60	0.094	0.098	0.102
E	0.90	1.00	1.10	0.035	0.039	0.043
E1	0.30	0.40	0.56	0.012	0.016	0.022
e	0.50BSC			0.020BSC		
L	0.30	0.40	0.45	0.012	0.016	0.018

TAPE AND REEL INFORMATION-DFN2510-10L

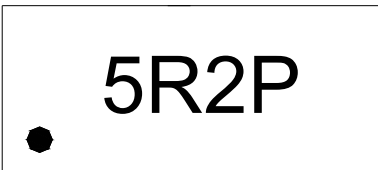


Symbol	Dimensions	
	Millimeters	Inches
	Typ.	Typ.
A0	1.20	0.047
B0	2.75	0.108
K0	0.70	0.028
P0	4.00	0.157
P1	4.00	0.157
P2	2.00	0.079
T	0.20	0.008
E	1.75	0.069
F	3.50	0.138
D0	1.55	0.061
D1	0.60	0.024
W	8.0	0.315
B	2.0	0.079
H	4.0	0.157
C	13.0	0.512
G	8.4	0.331
T1	14.9(max)	0.587(max)
N	60.0	2.362
D	178.0	7.000

ORDERING INFORMATION

PART No.	PACKAGE TYPE	QUANTITY(PCS) REEL	DESCRIPTON
JEU0524P	DFN2510-10L	3,000	7 Inch

MARKING CODE

Part Number	Marking Code
JEU0524P	

Information furnished in this document is believed to be accurate and reliable. However, Jiangsu JieJie Microelectronics Co.,Ltd assumes no responsibility for the consequences of use without consideration for such information nor use beyond it.

Information mentioned in this document is subject to change without notice, apart from that when an agreement is signed, Jiangsu JieJie complies with the agreement.

Products and information provided in this document have no infringement of patents. Jiangsu JieJie assumes no responsibility for any infringement of other rights of third parties which may result from the use of such products and information.

This document is the 4.5th version which is made in 26-Nov.-2020.This document supersedes and replaces all information previously supplied.

 is a registered trademark of Jiangsu JieJie Microelectronics Co.,Ltd.

Copyright ©2020 Jiangsu JieJie Microelectronics Co.,Ltd. Printed All rights reserved.