

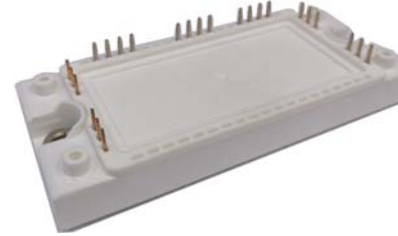
JSD241

Description:

- 1) Low forward voltage and leakage current
- 2) Low inductance package
- 3) High surge current capability

Typical Application:

- 1) Field supply for DC motors
- 2) Line rectifiers for transistorized AC motor controllers
- 3) Non-controllable rectifiers for AC/DC converter



Econo PIM 2

Absolute Maximum Ratings (Packaged into Econo PIM 2, unless otherwise specified, T_{CASE}=25°C)

Parameter	Test Conditions	Symbol	Values	Unit
Junction temperature range		T _J	-40~+150	°C
Storage temperature range		T _{STG}	-40~+125	°C
Repetitive peak reverse voltage		V _{RRM}	2200	V
Non-repetitive peak reverse voltage		V _{RSM}	2300	V
Output current	T _C =95°C	I _D	240	A
Forward surge current	1/2 cycle, Sine wave 50Hz, T _J =25°C	I _{FSM}	2200	A
Value for fusing		I ² t	24200	A ² s
RMS isolation voltage	A.C 50Hz(1s/1min)	V _{isol}	4300/3600	V



Three Phase Rectifier Bridge Module

Electrical Characteristics (Packaged into Econo PIM 2, unless otherwise specified, $T_{CASE}=25^{\circ}C$)

Parameter	Test Conditions	Symbol	Values			Unit
			Min.	Typ.	Max.	
Forward voltage	$I_F=240A, T_J=25^{\circ}C$	V_{FM}	-	-	1.6	V
Reverse leakage current	$V_R=V_{RRM}, T_J=25^{\circ}C$	I_{RRM}	-	-	0.1	mA
	$V_R=V_{RRM}, T_J=150^{\circ}C$		-	-	30	mA
Threshold voltage	$T_J=150^{\circ}C$, for power loss calculation only	V_{TO}	-	-	0.85	V
Slope resistance		r_T	-	-	2.0	m Ω

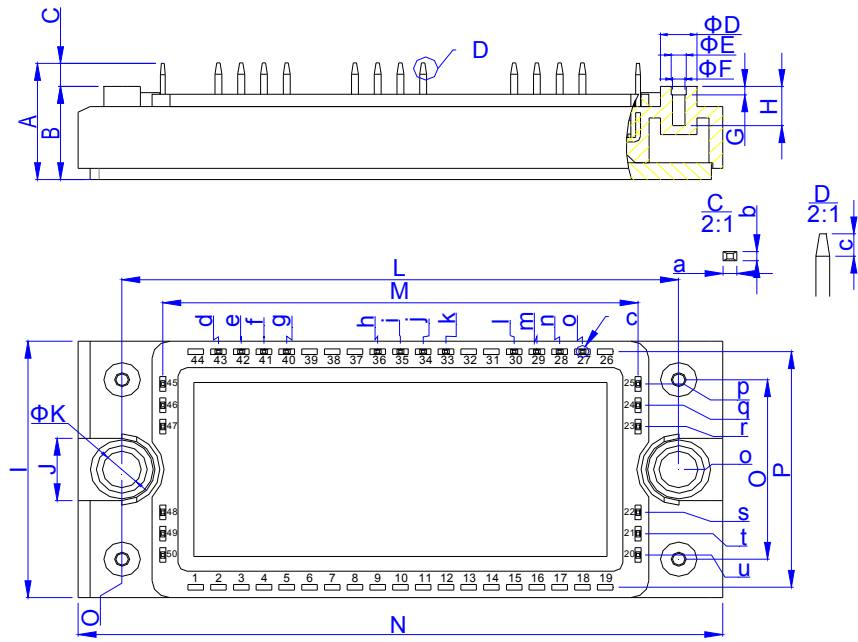
Thermal Characteristics (Packaged into Econo PIM 2, unless otherwise specified, $T_{CASE}=25^{\circ}C$)

Parameter	Test Conditions	Symbol	Values			Unit
			Min.	Typ.	Max.	
Thermal impedance (junction to case)	Per diode	$R_{th(j-c)}$	-	-	0.35	$^{\circ}C/W$
Mounting torque	Module torque	M	3	-	6	Nm
Weight			185			g
Case style			Econo PIM 2			

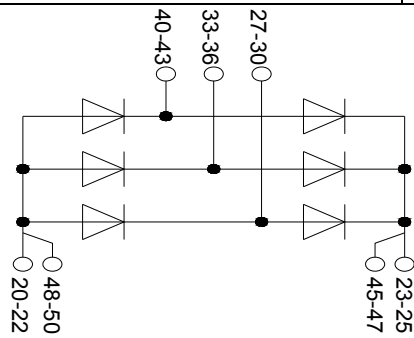
Ordering Information

<p>JS D 241 /22</p> <p>JieJie Semiconductor Co.,Ltd</p> <p>Diode module</p> <p>$I_D=240A$</p> <p>$22:V_{RSM} \geq 2300V$</p>

Mechanical Characteristics(mm)



Ref	Dimensions					
	Millimeters			Inches		
	Min	Typ	Max	Min	Typ	Max
A	20.5	21	21.5	0.807	0.827	0.846
B	16.3	16.8	17.3	0.642	0.661	0.681
C	3.8	4.3	4.8	0.150	0.169	0.189
D		6			0.236	
E	2.2	2.5	2.8	0.087	0.098	0.110
F	1.8	2.1	2.4	0.071	0.083	0.094
G	1.2	1.5	1.8	0.047	0.059	0.071
H		6			0.236	
I	44.5	45	45.5	1.752	1.772	1.791
J		11			0.433	
K	5	5.5	6	0.197	0.217	0.236
L	92.7	93	93.3	3.650	3.661	3.673
M		79.2			3.118	
N	107	107.5	108	4.213	4.232	4.252
O	31.7	32	32.3	1.248	1.260	1.272
P		41.9			1.650	
a	1.1	1.2	1.3	0.043	0.047	0.051
b	0.6	0.8	1	0.024	0.031	0.039
c	1.1	1.7	2.3	0.043	0.067	0.091
d		16.02			0.631	
e		19.83			0.781	
f		23.64			0.931	
g		27.45			1.081	
h		42.69			1.681	
i		46.5			1.831	
j		50.31			1.981	
k		54.12			2.131	
l		65.55			2.581	
m		69.36			2.731	
n		73.17			2.881	
o		76.98			3.031	
p		15.24			0.600	
q		11.43			0.450	
r		7.62			0.300	
s		7.62			0.300	
t		11.43			0.450	
u		15.24			0.600	



symbol




Three Phase Rectifier Bridge Module

Information furnished in this document is believed to be accurate and reliable. However, JieJie Semiconductor Co.,Ltd assumes no responsibility for the consequences of use without consideration for such information nor use beyond it.

Information mentioned in this document is subject to change without notice, apart from that when an agreement is signed, JieJie complies with the agreement.

Products and information provided in this document have no infringement of patents. JieJie assumes no responsibility for any infringement of other rights of third parties which may result from the use of such products and information.

This document is the 0.1st version which is made in 10-Sept.-2021. This document supersedes and replaces all information previously supplied.

 is registered trademarks of JieJie Semiconductor Co.,Ltd. Copyright©2021 Semiconductor Co.,Ltd. Printed All rights reserved.